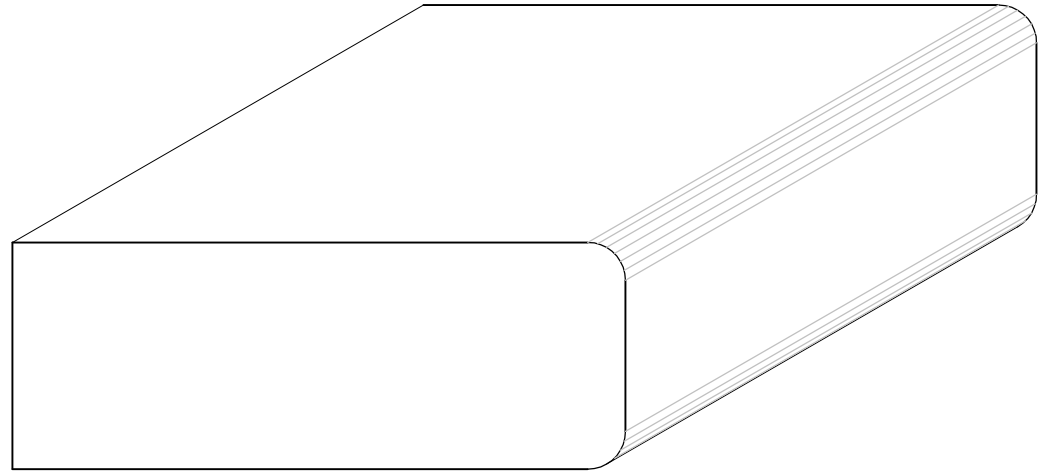
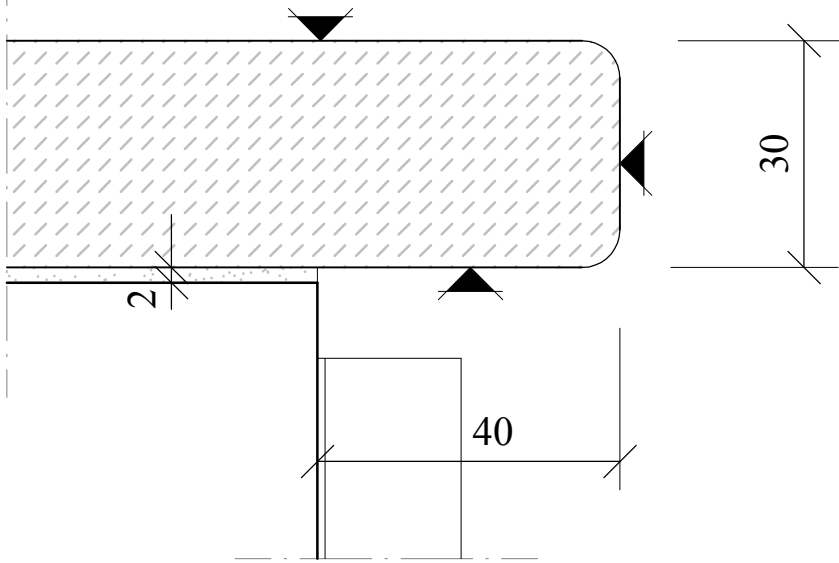


"T" R5/90°



"A1" R10/90°

